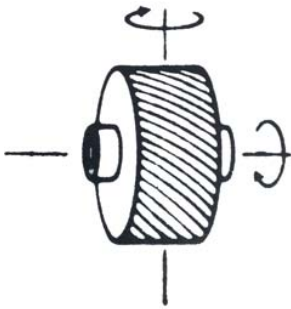




ZT507C
SUPER SHAVER

FOR USE ON TITANIUM , STAINLESS STEEL,
MONEL AND SIMILAR HIGH STRENGTH FASTENERS

DUAL
ROTATION
TYPE
CUTTERS

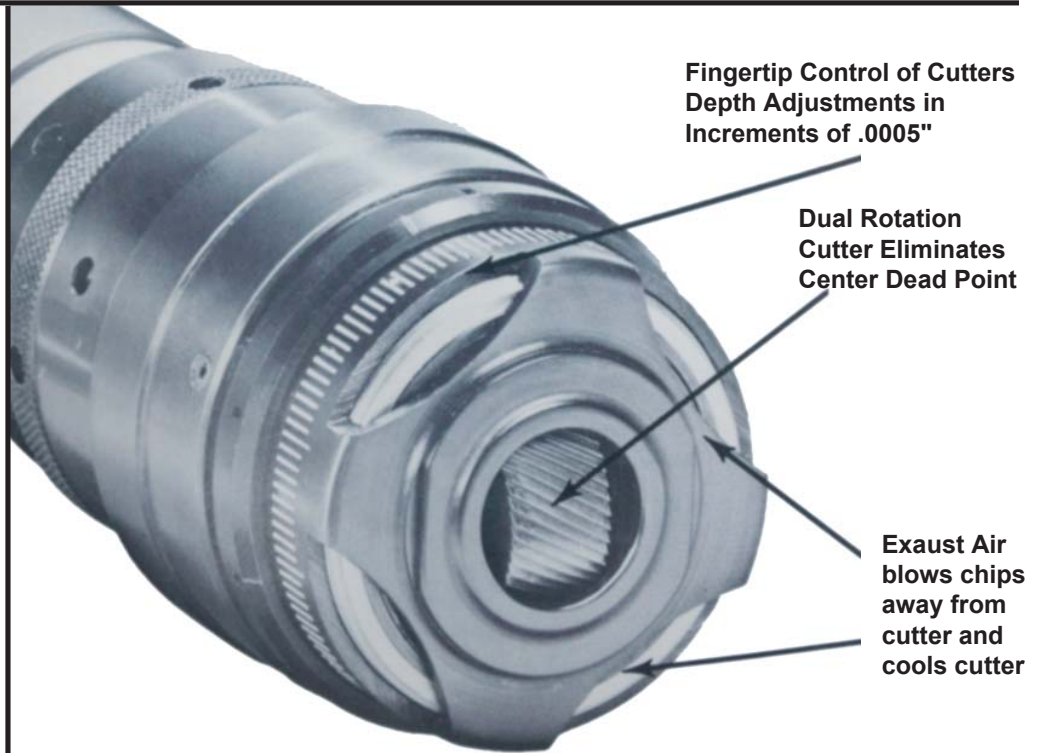


- Dual rotation cutting action.
- Micrometer dial type adjustment with .0005 inch increments.
- Positive cutting depth control
- Solid Carbide Cutters.
- Cutter rotation - 12,000 R.P.M.



ZT507C SUPER SHAVER

FLUSH FINISHES
EXTRA HARD AND
TOUGH MATERIALS



STABILIZER
ASSEMBLY



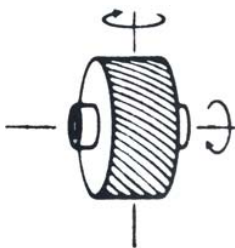
Removable Stabilizer Assembly
is easily installed on shaver to
prevent "walking" across the
sheet. It is specially
recommended for use with
ZT507C Dual Rotation model.

NOTE: Stabilizer Assembly, available as accessory if required,
specify at time of order



**ZT507C
SUPER SHAVER**

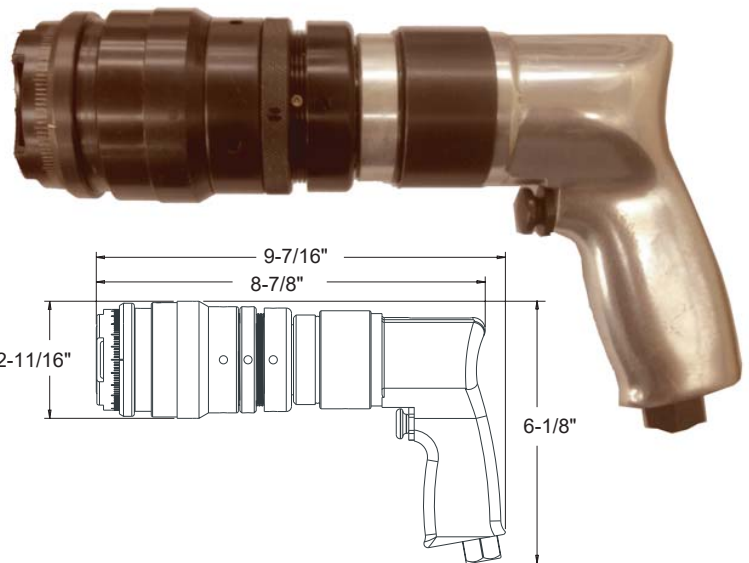
Model ZT507C rotates cutter at approximately 12,000 rpm
Weight: 5 1/2 lbs.



**DUAL
ROTATION
TYPE
CUTTERS**

**FOR USE ON TITANIUM , STAINLESS STEEL,
MONEL AND SIMILAR HIGH STRENGTH FASTENERS.**

Zephyr's Super Shavers will flush-finish the toughest and hardest fasteners in seconds. Precision finishing conforms with rigid standards established for construction of supersonic aircraft.



CARBIDE CUTTERS



FOOTPIECES

CUTTER WIDTH	STEEL FOOTPIECE	NYLON FOOTPIECE	CLOSE QUARTER NOSEPIECE
3/8" & 7/16"	ZT507084	-.-	ZT507094
1/2"	ZT507029	ZT507041	ZT507092
3/4"	ZT507035	ZT507055	-.-

CUTTERS FOR ZT507C SUPER SHAVER

Zephyr's Carbide Cutters are precision ground for high speed usage and long life. They are fluted to meet the special requirements for various metals and finishes.

CUTTER NUMBER	MATERIAL	DIAMETER	WIDTH	No. OF TEETH	CHIP BREAKER	APPLICATION
ZT507-20B	CARBIDE	1-1/8"	1/2"	49	NO	MONEL STEEL, TITANIUM
ZT507-21B	CARBIDE	1-1/8"	3/4"	49	NO	MONEL STEEL, TITANIUM
ZT507-22B	CARBIDE	1-1/8"	1/2"	25	NO	MONEL STEEL, TITANIUM, JO BOLT
ZT507-23B	CARBIDE	1-1/8"	3/8"	49	NO	MONEL STEEL, TITANIUM
ZT507-24B	CARBIDE	1-1/8"	1/2"	37	YES	NACA, STRAYLAR RIVET, ALUMINUM, JO BOLT
ZT507-25B	CARBIDE	1-1/8"	3/4"	37	YES	NACA, STRAYLAR RIVET, ALUMINUM, JO BOLT
ZT507-26B	CARBIDE	1-1/8"	3/8"	37	YES	NACA, STRAYLAR RIVET, ALUMINUM, JO BOLT
ZT507-27B	CARBIDE	1-1/8"	1/2"	25	NO	A-286 STAINLESS STEEL RIVET
ZT507-28B	CARBIDE	1-1/8"	3/4"	25	NO	A-286 STAINLESS STEEL RIVET
ZT507-29B	CARBIDE	1-1/8"	7/16"	49	NO	MONEL, STEEL, TITANIUM